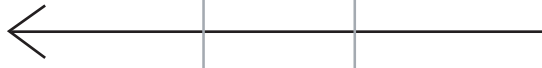


A

FOLD

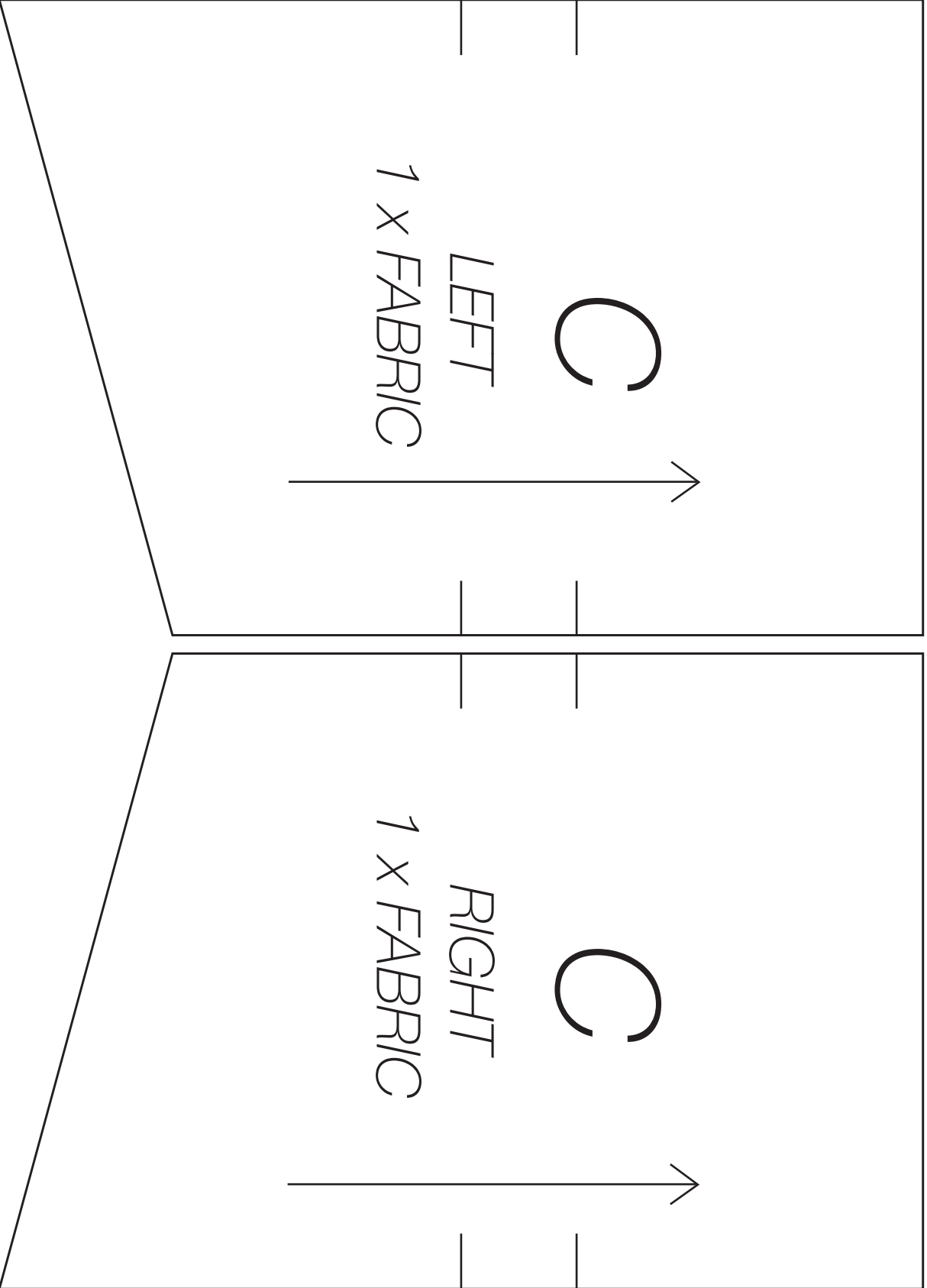
FOLD

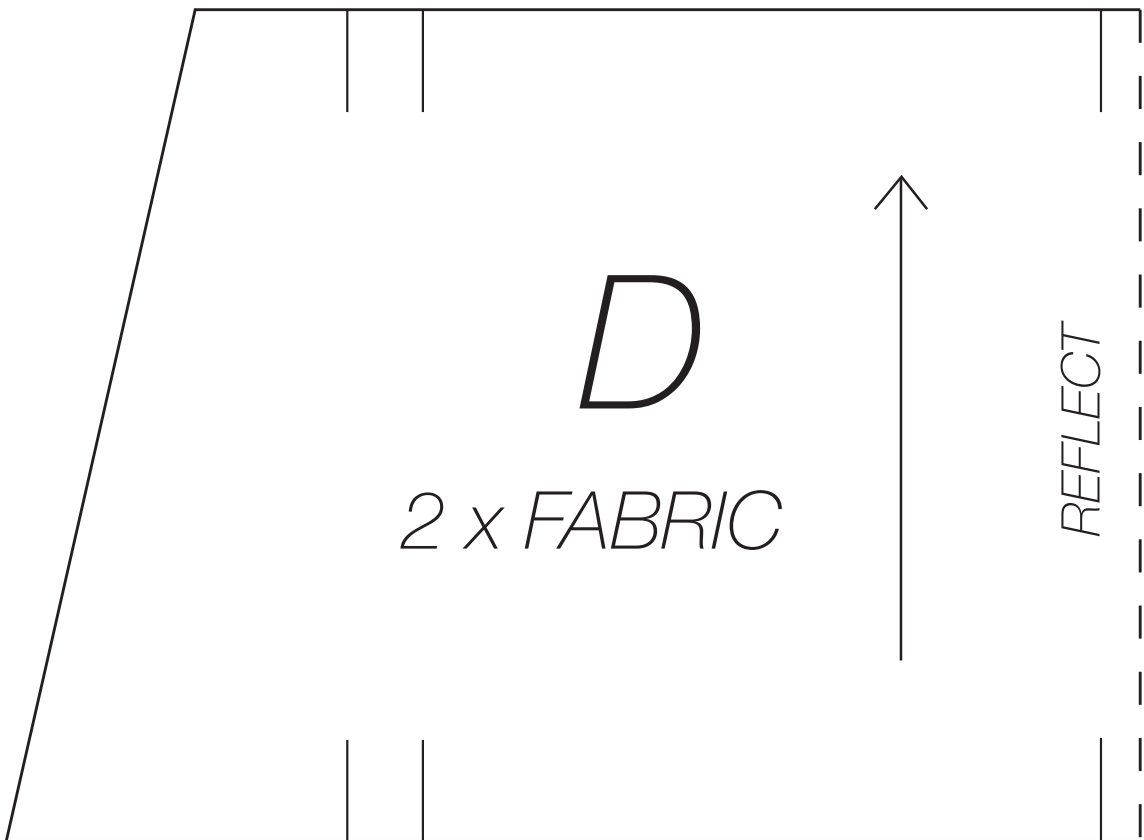
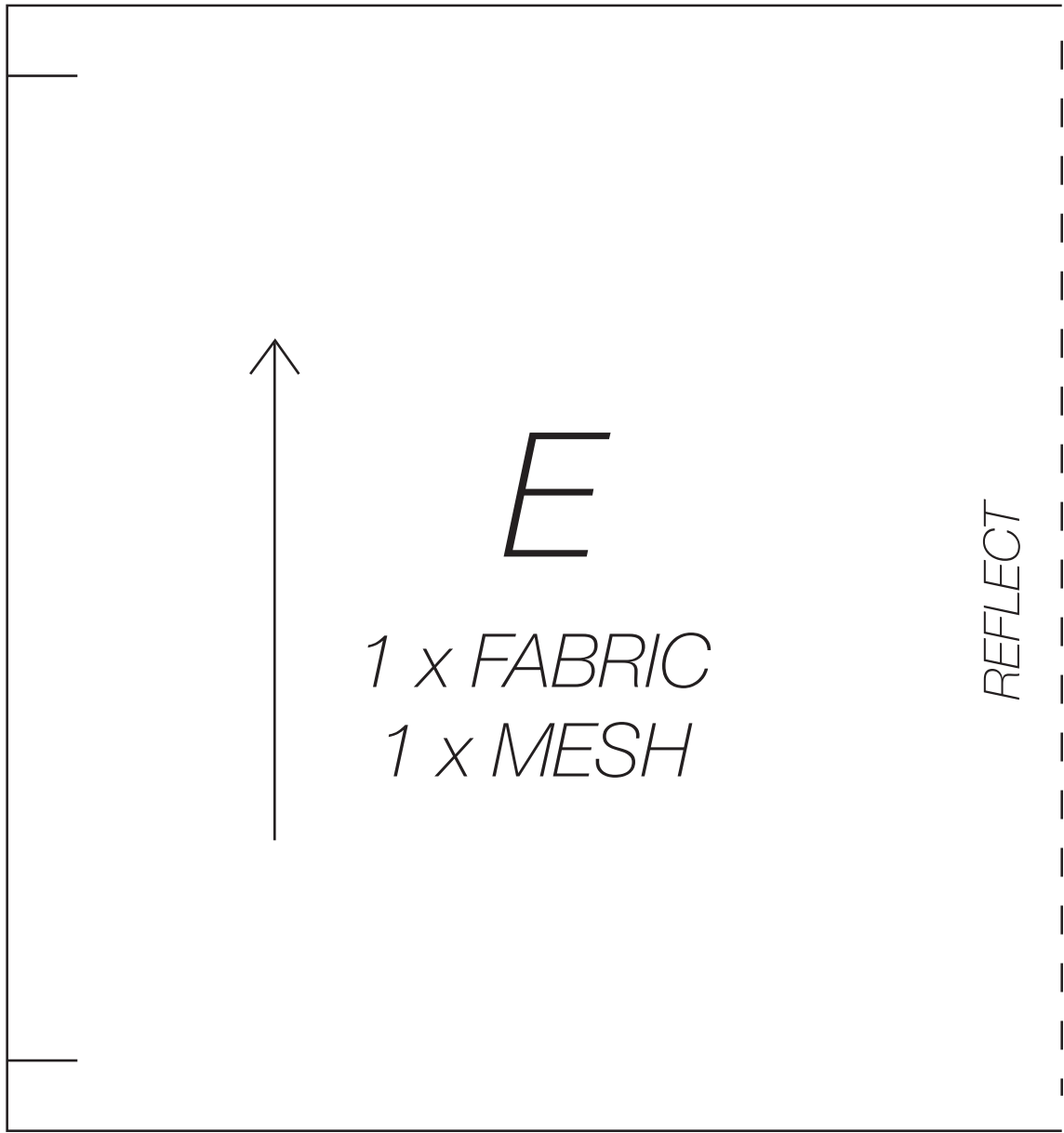
1 x FABRIC

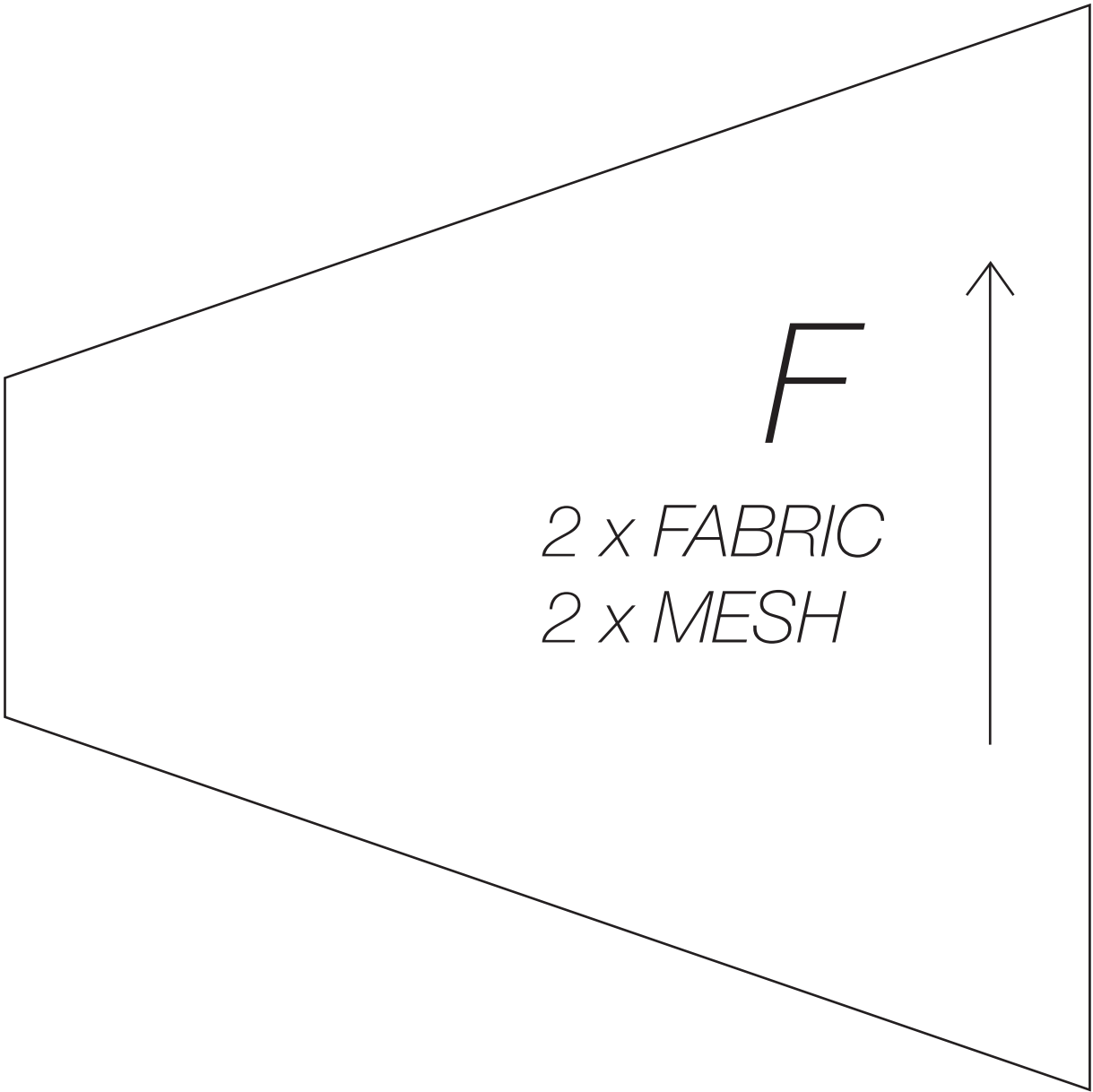


B

1 x FABRIC







F

2 x FABRIC

2 x MESH

